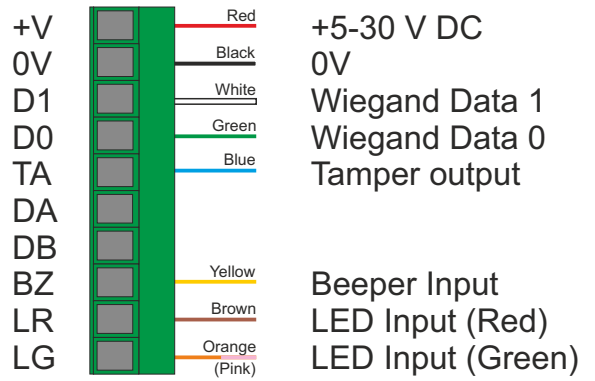
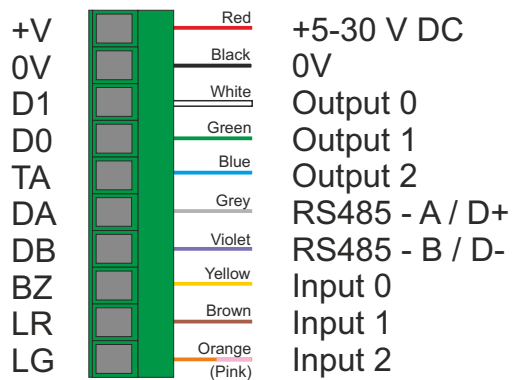




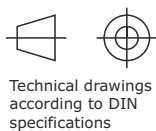
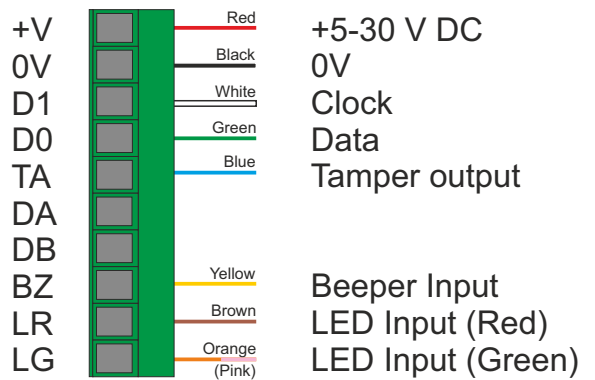
Wiegand Interface:



OSDP Interface:



Clock/Data Interface:



SECURITY
ENGINEERING

Tel.: +45 87 30 04 45
www.securityengineering.dk

Design : SE 1090 DKT / DKC

Subject : MIFARE/DESFire card reader for OSDP bus

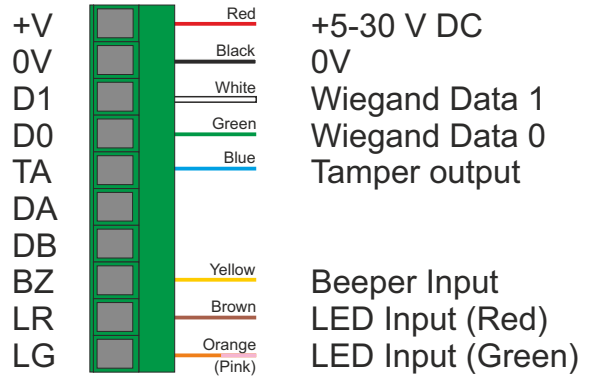
Scale :

Dato : 2022-12-28

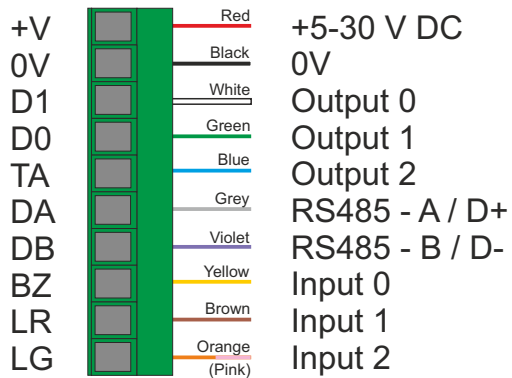
Rev.: D



Wiegand Interface:



OSDP Interface:



Clock/Data Interface:

