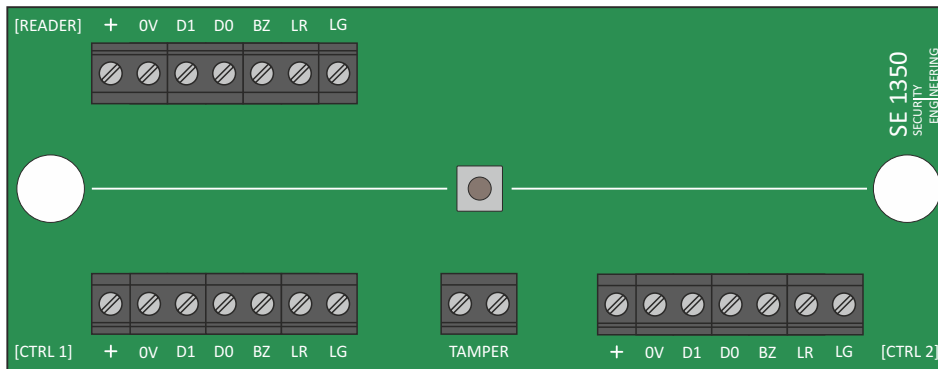


Wiegand Splitter  
SE 1350



**Terminals - Reader:**

+ Power input (Vin = 9 - 30V)  
 0V Power GND  
 D1 Wiegand Data 1 (Input)  
 D0 Wiegand Data 0 (Input)  
 BZ Buzzer Control (Output)  
 LR Red LED Control (Output)  
 LG Green LED Control (Output)

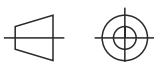
**Terminals - Controller 1:**

+ Power input (Vin = 9 - 30V)  
 0V Power GND  
 D1 Wiegand Data 1 (Output)  
 D0 Wiegand Data 0 (Output)  
 BZ Buzzer Control (Input)  
 LR Red LED Control (Input)  
 LG Green LED Control (Input)

**Terminals - Controller 2:**

+ Power input (Vin = 9 - 30V)  
 0V Power GND  
 D1 Wiegand Data 1 (Output)  
 D0 Wiegand Data 0 (Output)  
 BZ Buzzer Control (Input)  
 LR Red LED Control (Input)  
 LG Green LED Control (Input)

All terminal blocks are optically isolated.



Technical drawings  
according to DIN  
specifications

SECURITY  
ENGINEERING

Tel.: +45 87 30 04 45  
www.securityengineering.dk

Design : SE 1350 - Wiegand splitter

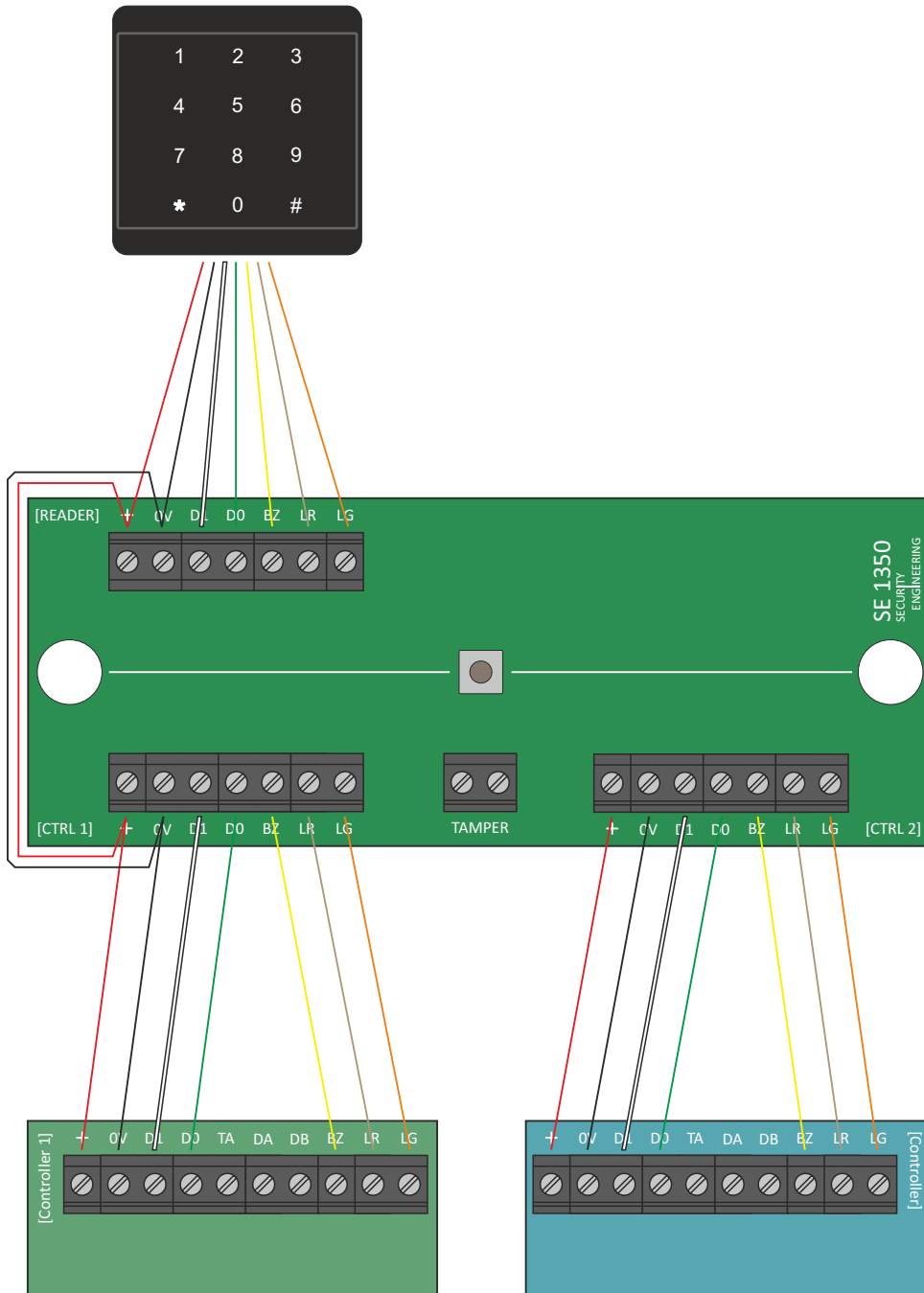
Subject : Connections


Scale :

Dato : 2023-02-28

Rev.: A

Wiegand Splitter  
SE 1350



  
Technical drawings  
according to DIN  
specifications

SECURITY  
ENGINEERING

Tel.: +45 87 30 04 45  
www.securityengineering.dk

Design : SE 1350 - Wiegand Splitter

Subject : Wiegand Connections

Scale :

Dato : 2023-02-28

Rev.: A