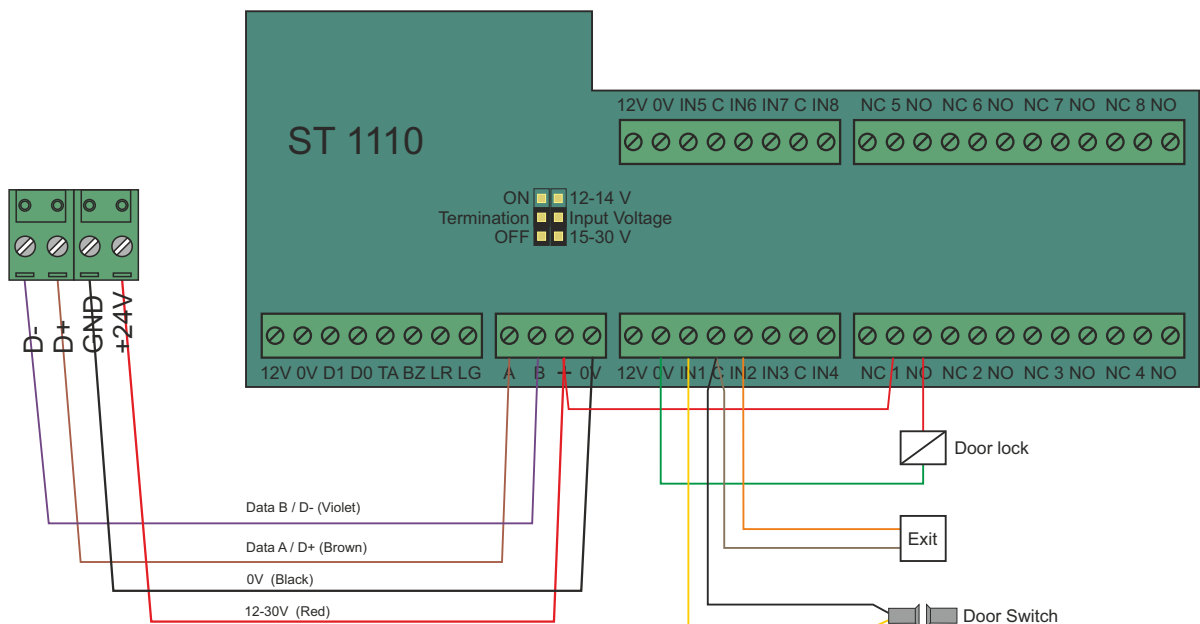
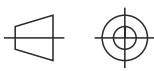




ST 1110 configuration:
 Connect the ST 1110 to a windows pc via USB.
 Red & Green LED is on.
 Use seucu.exe to configure Format ID:
 0 - Clock/data Interface
 8 - Unilock Interface
 32 - Wiegand Interface

SieTech
 TechPoint

OSDP I/O Module
 ST 1110

Technical drawings
 according to DIN
 specifications

SECURITY
 ENGINEERING

Tel.: +45 87 30 04 45
 www.securityengineering.dk

Design : SE 1110 - OSDP I/O Module

Subject : I/O connections

Scale :

Dato : 2019-05-02

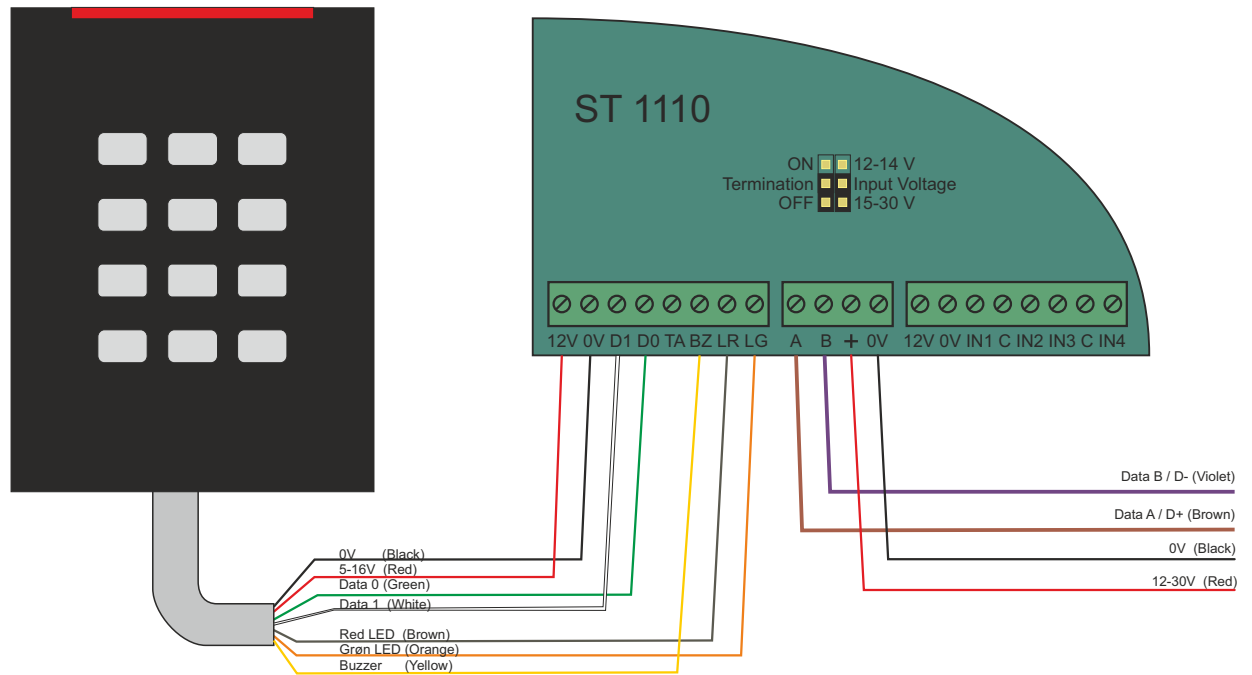
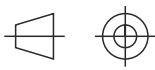
Rev.: C



ST 1110 configuration:
 Connect the ST 1110 to a windows pc via USB.
 Red & Green LED is on.
 Use seucu.exe to configure Format ID:
 0 - Clock/data Interface
 8 - Unilock Interface
 32 - Wiegand Interface

Card Reader
 HID RK40

OSDP I/O Module
 ST 1110

Technical drawings
 according to DIN
 specifications

SECURITY
 ENGINEERING

Tel.: +45 87 30 04 45
 www.securityengineering.dk

Design : SE 1110 - OSDP I/O Module

Subject : Wiegand connections

Scale :

Dato : 2019-05-02

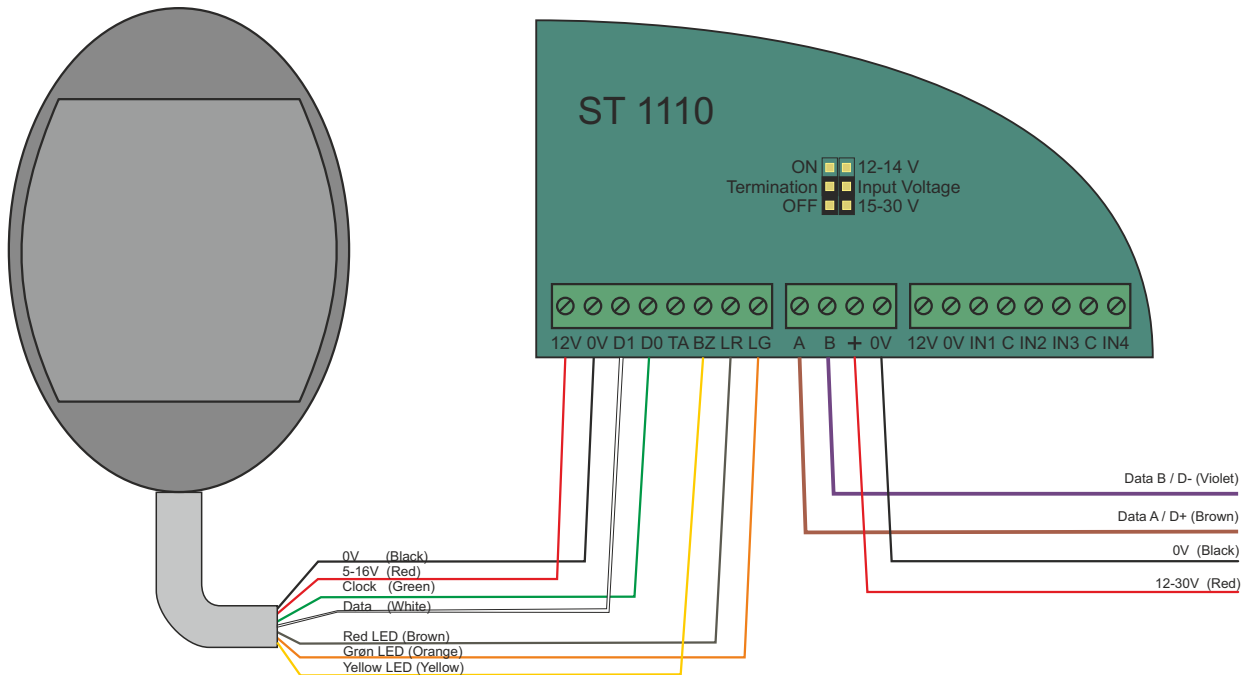
Rev.: C



ST 1110 configuration:
 Connect the ST 1110 to a windows pc via USB.
 Red & Green LED is on.
 Use seucu.exe to configure Format ID:
 0 - Clock/data Interface
 8 - Unilock Interface
 32 - Wiegand Interface

Card Reader
 UNITEK T370

OSDP I/O Module
 ST 1110



Technical drawings
 according to DIN
 specifications

SECURITY
 ENGINEERING

Tel.: +45 87 30 04 45
 www.securityengineering.dk

Design : SE 1110 - OSDP I/O Module

Subject : Unilock connections

Scale :

Dato : 2019-05-02

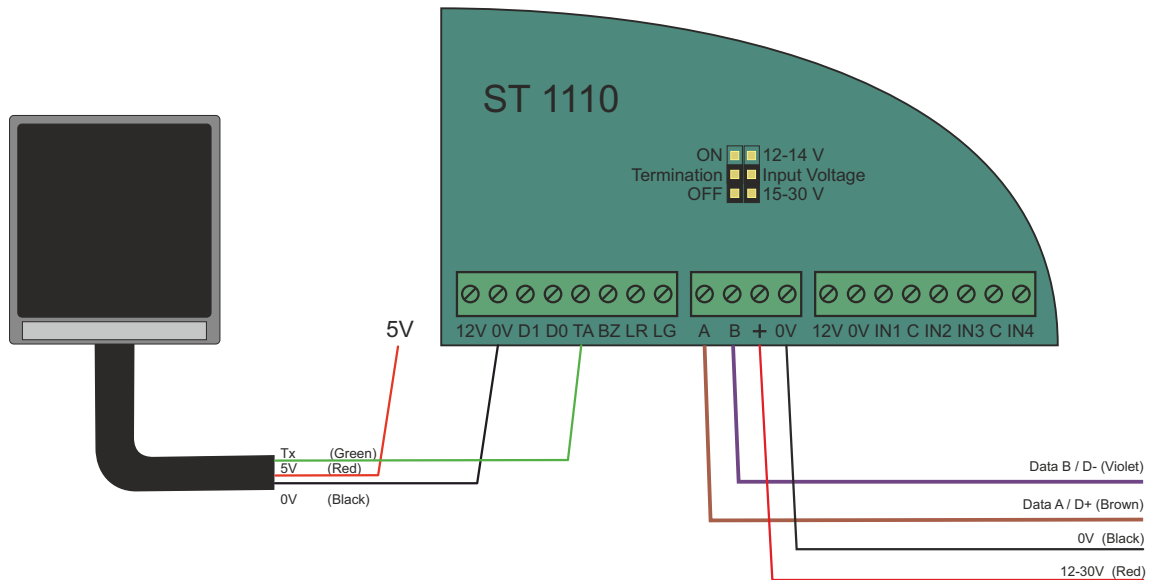
Rev.: C



ST 1110 configuration:
 Connect the ST 1110 to a windows pc via USB.
 Red & Green LED is on.
 Use seucu.exe to configure Format ID:
 0 - Clock/data Interface
 8 - Unilock Interface
 31 - RS232 Interface
 32 - Wiegand Interface

Card Reader
 Optical with RS232

OSDP I/O Module
 ST 1110





ST 1110 configuration:
 Connect the ST 1110 to a windows pc via USB.
 Red & Green LED is on.
 Use seucu.exe to configure Format ID:
 0 - Clock/data Interface
 8 - Unilock Interface
 32 - Wiegand Interface

OSDP I/O Module
 ST 1110

ST 1110 Reset procedure:
 Remove power from the ST 1110.
 Connect terminal D0 and LG.
 Repower the ST 1110 -> Red + Green Flashes.
 Remove power from the ST 1110.
 Remove connection on terminal D0 and LG.

The communication settings has been reset to:

OSDP Address : 0
 OSDP Speed : 9600 Baud

